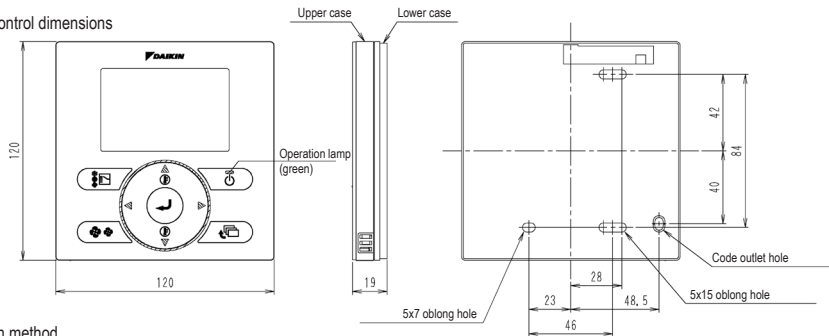


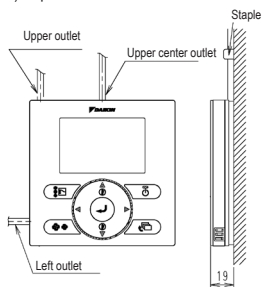
BRC1E53A
BRC1E53B
BRC1E53C

- Remote control dimensions

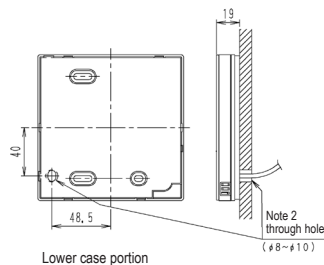


- Installation method

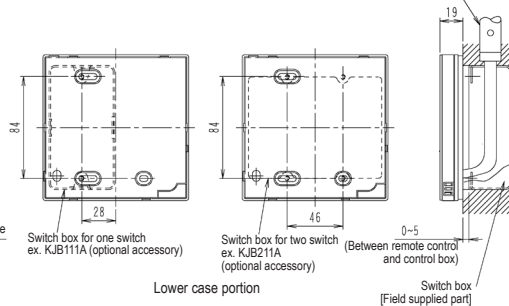
A) Exposed Cord



B) Embedded Cord



C) Embedded Cord (Use Switch Box)



NOTES

- Remote control cord and staple are not attached, they are field supplied parts.
 Specifications of cord

Type	Vinyl cord with sheath or cable (insulated thickness: 1mm or more)
Size	0.75~1.25mm ²
Total length	500m

- If the hole size is too large or the location is not proper, the hole may come out from the remote control.