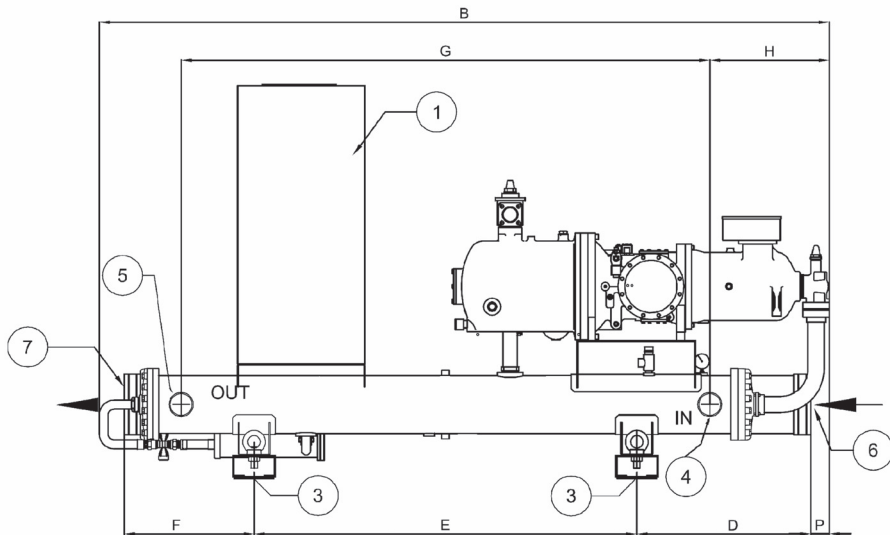
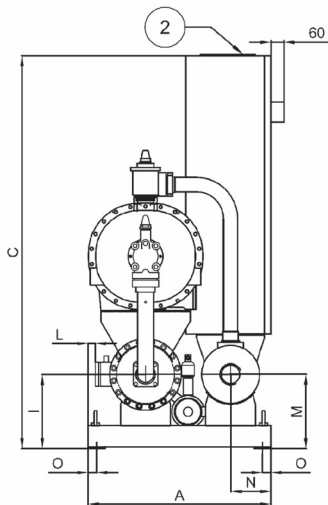


**EWWD170~300G-SS Partial Heat Recovery**  
**EWWD190~320G-XS Partial Heat Recovery**



**Dimensions**

EWWD-G-	A	B	C	D	E	F	G	H	I	L	M	N	O	P
170-210G-SS	860	3435	1860	818	1800	610	2526	564	350	77	350	190	40	87
260-300G-SS	860	3435	1860	818	1800	610	2486	564	350	33	350	190	40	87
190-320G-XS	860	3435	1860	850	1800	580	2486	564	350	33	350	190	40	57

**LEGEND**

- 1 - Electrical Panel
- 2 - Power connections slot 150x260
- 3 - Four (4) holes Ø25 for isolator mounting
- 4 - Evaporator water inlet (Victaulic connection)
- 5 - Evaporator water outlet (Victaulic connection)
- 6 - Condenser water inlet connection
- 7 - Condenser water outlet connection