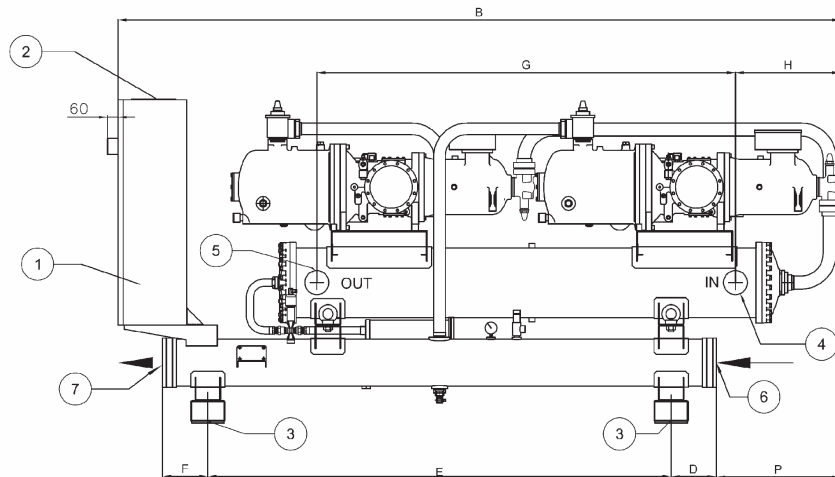
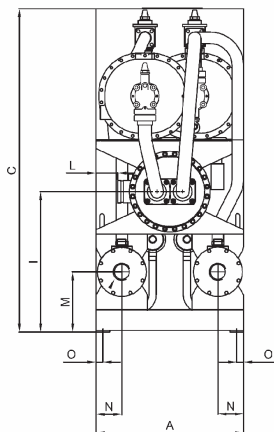


EWWD320~600G-SS Total Heat Recovery
EWWD380~460G-XS Total Heat Recovery



Dimensions

EWWD-G-	A	B	C	D	E	F	G	H	I	L	M	N	O	P	Q
320-420G-SS	860	4220	1880	264	2700	264	2486	564	815	127	350	75	40	612	150
460-600G-SS, 380G-XS	860	4220	1880	264	2700	264	2450	582	815	127	350	75	40	612	150
400-460G-XS	1020	4245	1935	264	2700	264	2412	601	815	187	350	110	40	612	200

LEGEND

- 1 - Electrical Panel
- 2 - Power connections slot 150x260
- 3 - Four (4) holes Ø25 for isolator mounting
- 4 - Evaporator water inlet (Victaulic connection)
- 5 - Evaporator water outlet (Victaulic connection)
- 6 - Condenser water inlet connection
- 7 - Condenser water outlet connection