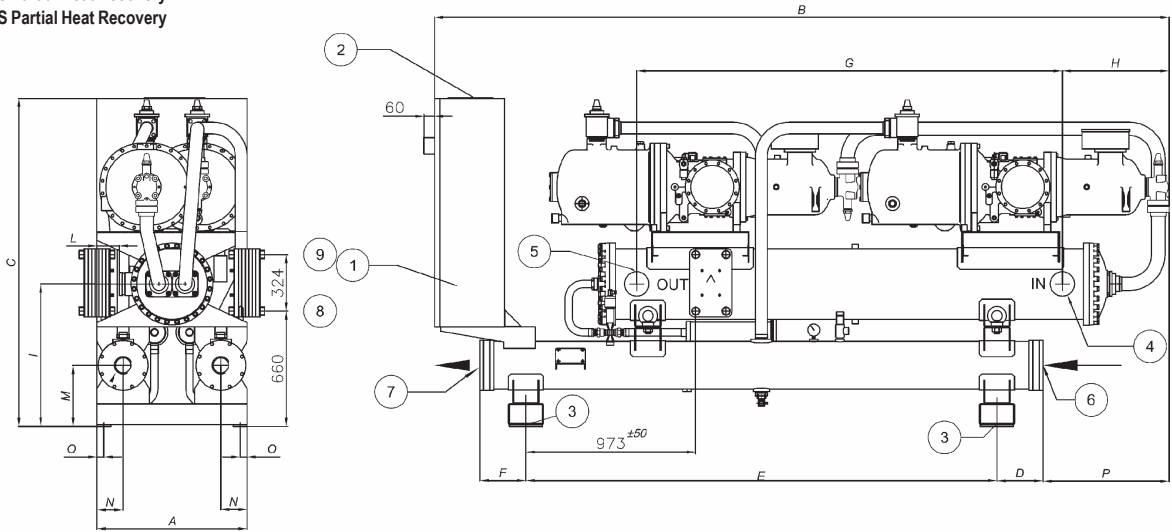


**EWWD320~600G-SS Partial Heat Recovery**  
**EWWD380~650G-XS Partial Heat Recovery**



**Dimensions**

EWWD~G-	A	B	C	D	E	F	G	H	I	L	M	N	O	P
320-420G-SS	860	4245	1880	264	2700	264	2486	564	815	127	350	190	40	723
460-600G-SS, 380G-XS	860	4245	1880	264	2700	264	2450	582	815	122	350	190	40	723
400-460G-XS	860	4245	1880	264	2700	264	2412	601	815	122	350	190	40	723
500-650G-XS	860	4245	1880	264	2700	264	2412	601	815	110	350	190	40	723

**LEGEND**

- 1 - Electrical Panel
- 2 - Power connections slot 150x260
- 3 - Four (4) holes Ø25 for isolator mounting
- 4 - Evaporator water inlet (Victaulic connection)
- 5 - Evaporator water outlet (Victaulic connection)
- 6 - Condenser water inlet connection
- 7 - Condenser water outlet connection