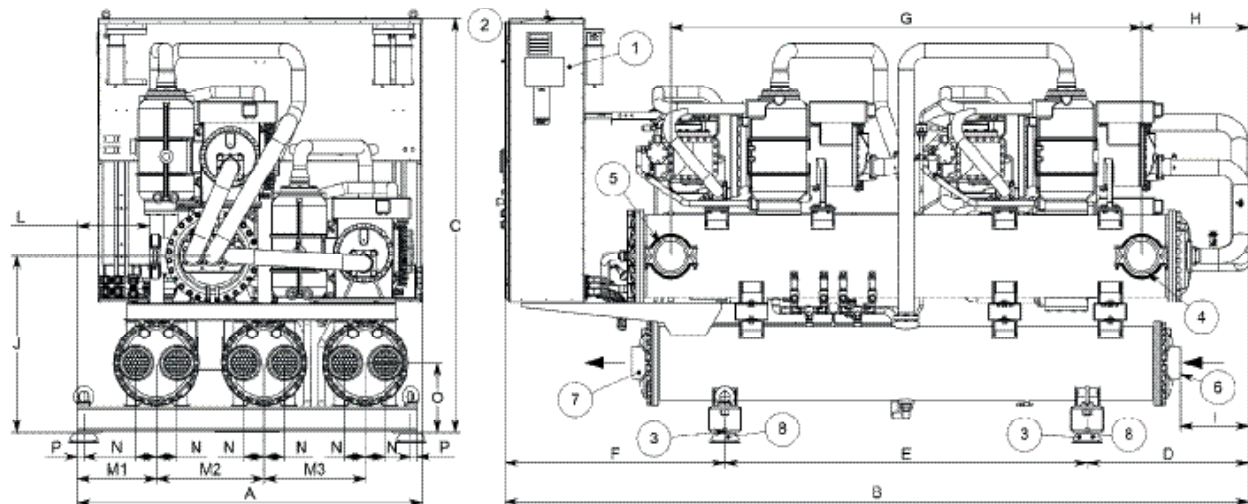


EWWD-C12-C18I-SS Total Heat Recovery

Dimensions

EWWD-I-	A	B	C	D	E	F	G	H	I	J	L	M1	M2	M3	N	O	P
C12-C18I-SS (THR)	2131	4610	2560	1001	2240	1369	2910	666	416	1095	446	490	665	625	126	431	40

LEGEND

- 1 - Electrical Panel
- 2 - Power connections slot 150x200
- 3 - Four (4) holes Ø21 for isolator mounting
- 4 - Evaporator water inlet (Victaulic connection)
- 5 - Evaporator water outlet (Victaulic connection)
- 6 - Condenser water inlet connection
- 7 - Condenser water outlet connection
- 8 - Isolators (optional)