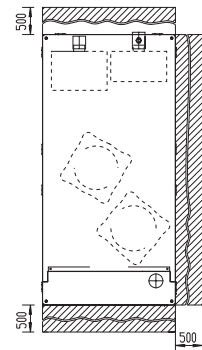
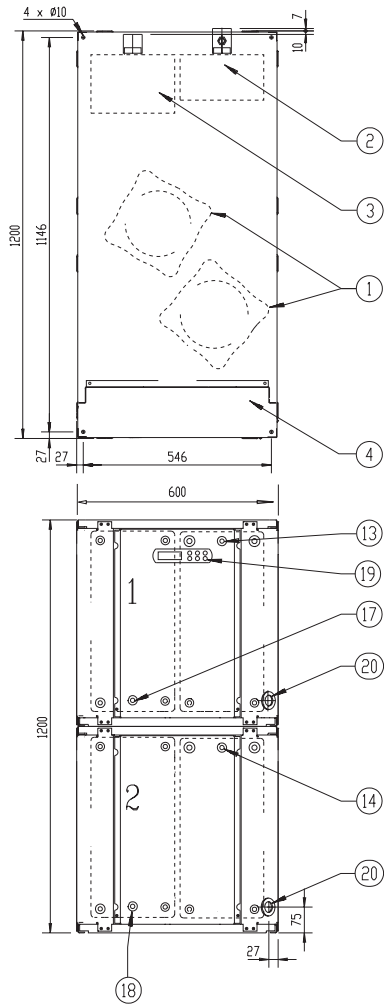
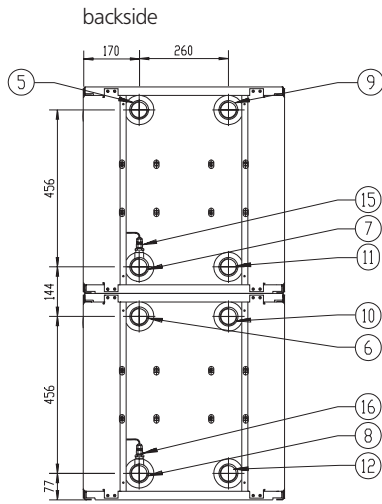


EWWP090-130KBW1N (32-48hp)



Required service space around the unit

Scale 1/18



- | | |
|---|--|
| <ul style="list-style-type: none"> 1 Compressor 2 Evaporator 3 Condenser 4 Switchbox 5 Chilled water in 1 6 Chilled water in 2 7 Chilled water out 1 8 Chilled water out 2 9 Condenser water out 1 10 Condenser water out 2 11 Condenser water in 1 12 Condenser water in 2 | <ul style="list-style-type: none"> 13 Evaporator entering water temperature sensor 1 14 Evaporator entering water temperature sensor 2 15 Freeze up sensor 1 16 Freeze up sensor 2 17 Condenser entering water temperature 1 18 Condenser entering water temperature 2 19 Digital display controller 20 Power supply intake (φ 48) |
|---|--|