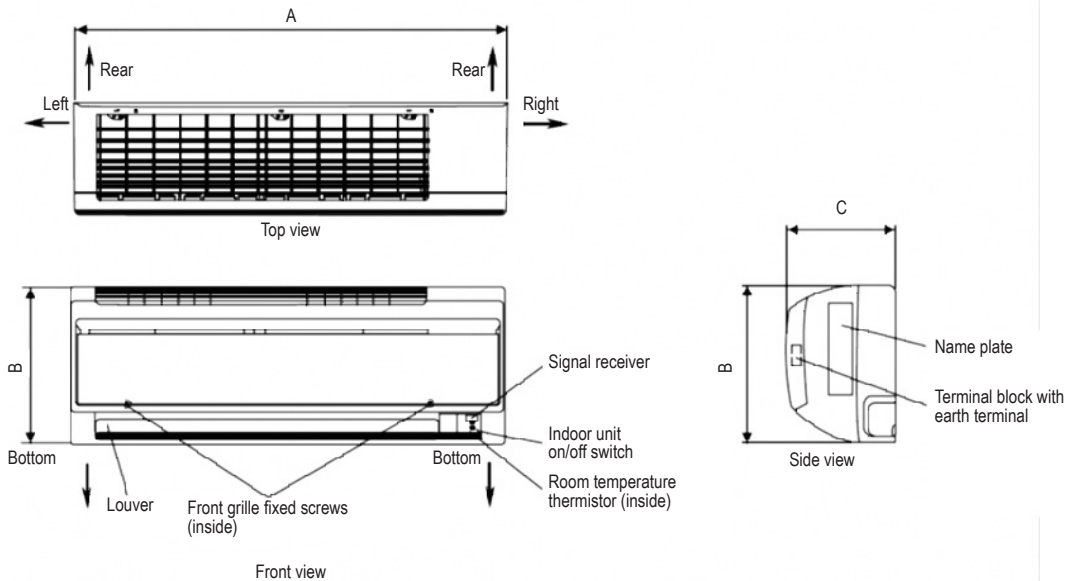


The mark (→) shows piping direction



Dimension	A	B	C
FWT 02,03,04 GT	800	288	206
FWT 05,06 GT	1065	310	224