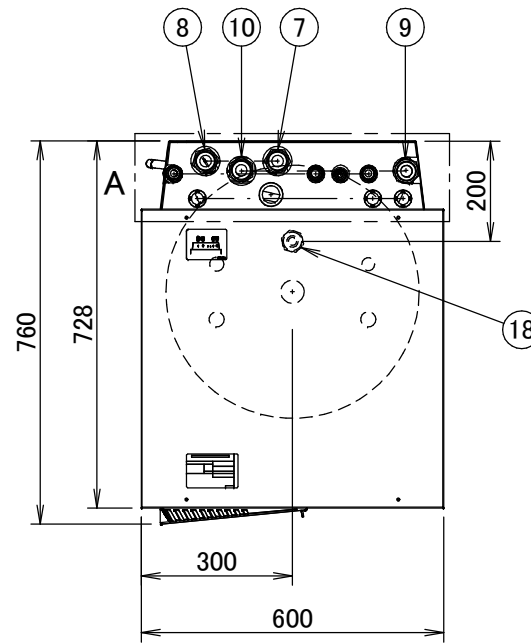


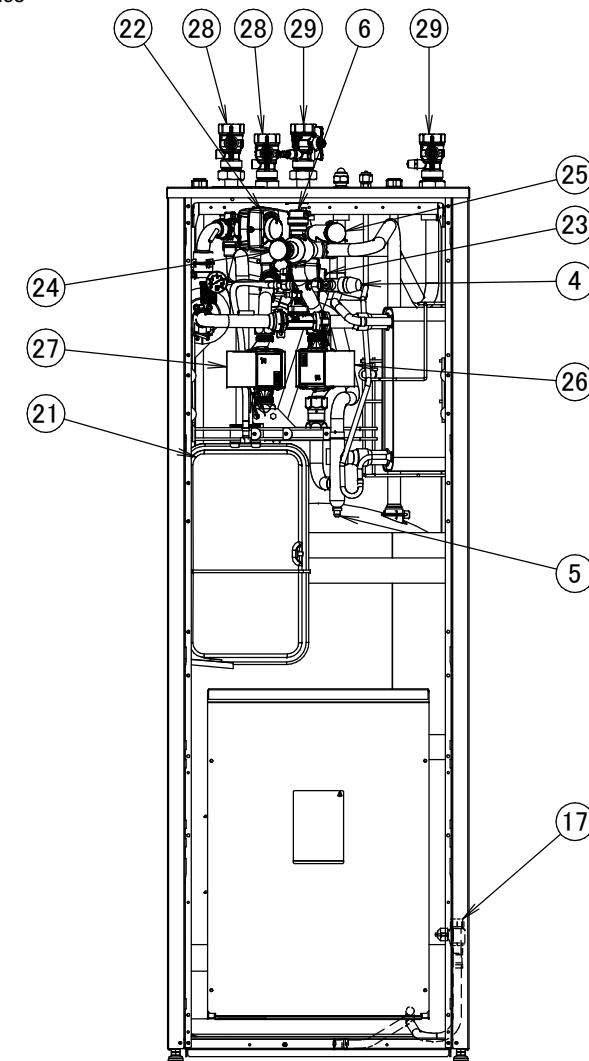
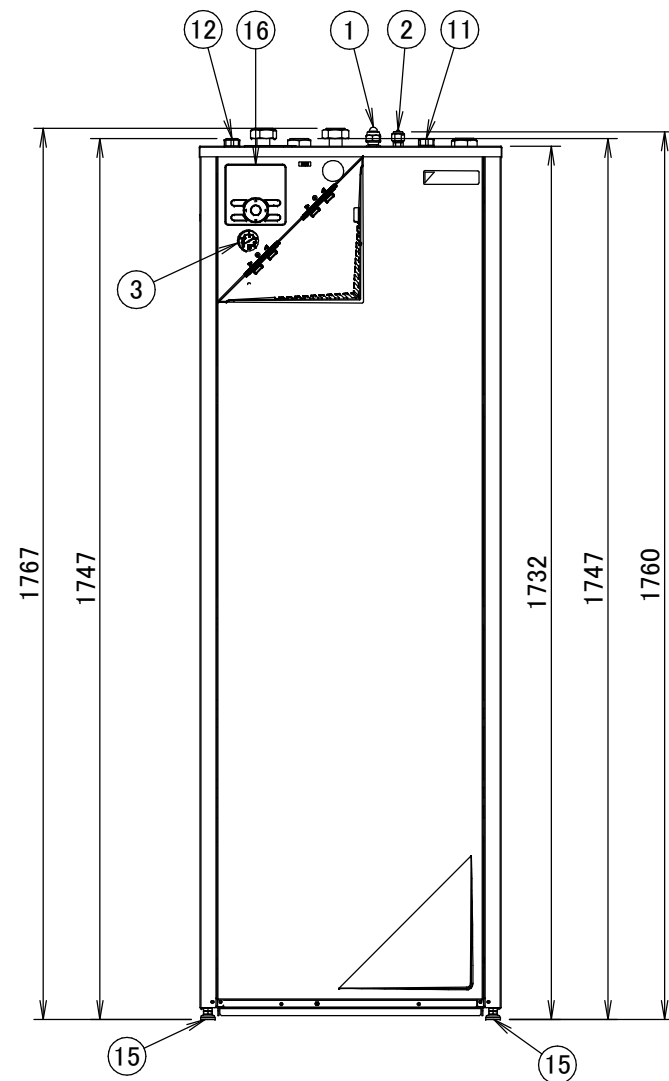
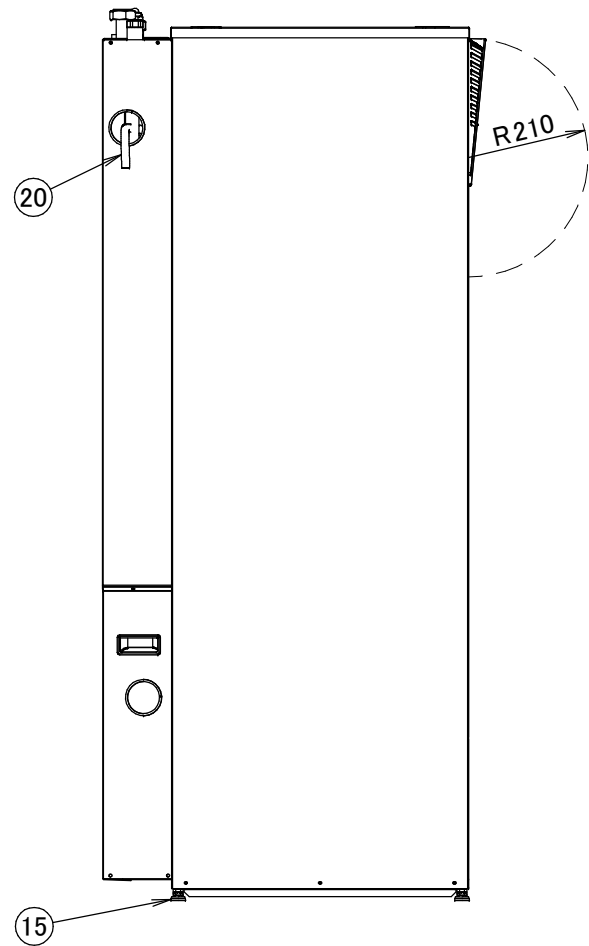
DETAIL A

The typical field installation has to be done according to the applicable legislation.
For examples, refer to the installer reference guide.



- ① Gas pipe connection Ø 15.9 flare
- ② Liquid pipe connection Ø 6.35 flare
- ③ Pressure gauge
- ④ Safety valve
- ⑤ Drain valve water circuit
- ⑥ Air purge
- ⑦ Water IN connection (main/mixed zone) 1-1/4" BSP (female)
- ⑧ Water OUT connection (main/mixed zone) 1-1/4" BSP (female)
- ⑨ Water IN connection (additional/direct zone) 1-1/4" BSP (female)
- ⑩ Water OUT connection (additional/direct zone) 1-1/4" BSP (female)
- ⑪ Domestic hot water: cold water in 3/4" F BSP
- ⑫ Domestic hot water: hot water out 3/4" F BSP
- ⑬ Control wiring intake Ø24mm
- ⑭ Power supply wiring intake Ø24mm
- ⑮ Levelling feet
- ⑯ User interface Option kit
- ⑰ Drain valve domestic hot water tank circuit
- ⑱ Recirculation connection G 1/2" (female)
- ⑲ Hole for the recirculation piping or options wiring Ø35mm
- ⑳ Drain outlet (unit + safety valve)
- ㉑ Expansion vessel
- ㉒ 3-way valve (space heating/domestic hot water)
- ㉓ 3-way valve (mixing valve for the main/mixed zone)
- ㉔ Water filter (additional/direct zone)
- ㉕ Water filter (main/mixed zone)
- ㉖ Pump (additional/direct zone)
- ㉗ Pump (main/mixed zone)
- ㉘ Shut-off valve
- ㉙ Shut-off valve with fill valve (included accessory)

The additional zone is the temperature zone with the highest temperature.
The main zone is the temperature zone with the lowest temperature.



Screws used in this unit:

