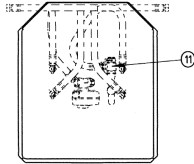
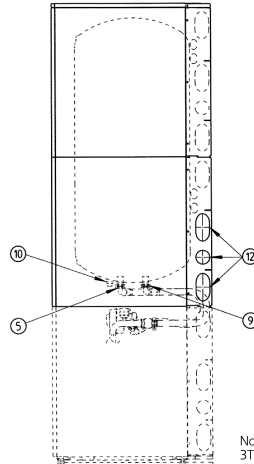
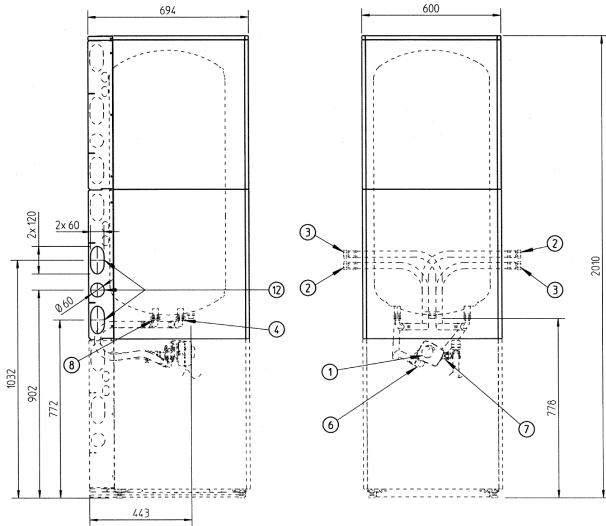


# EKHTS200AC+EKHBRD

## EKHTS200AC+EKHVMR/YD



1. 3-way valve
2. Hot water out connection G 3/4" (Female)
3. Cold water in connection G 3/4" (Female)
4. Hot water out (quick coupling) at bottom tank
5. Cold water in (quick coupling) at bottom tank
6. Tank connection from indoor unit (quick coupling)
7. Tank connection to indoor unit (quick coupling)
8. Tank connection from indoor unit (quick coupling) at bottom tank
9. Tank connection to indoor unit (quick coupling) at bottom tank
10. Recirculation connection G 1/2" (Male)
11. T-joint (In case of EKHBRD\*)
12. Knock-out holes for water piping



Note: For indoor unit details refer to 3TW59854-1 (EKHBRD\*) or 3TW59914-1 (EKHVM\*)