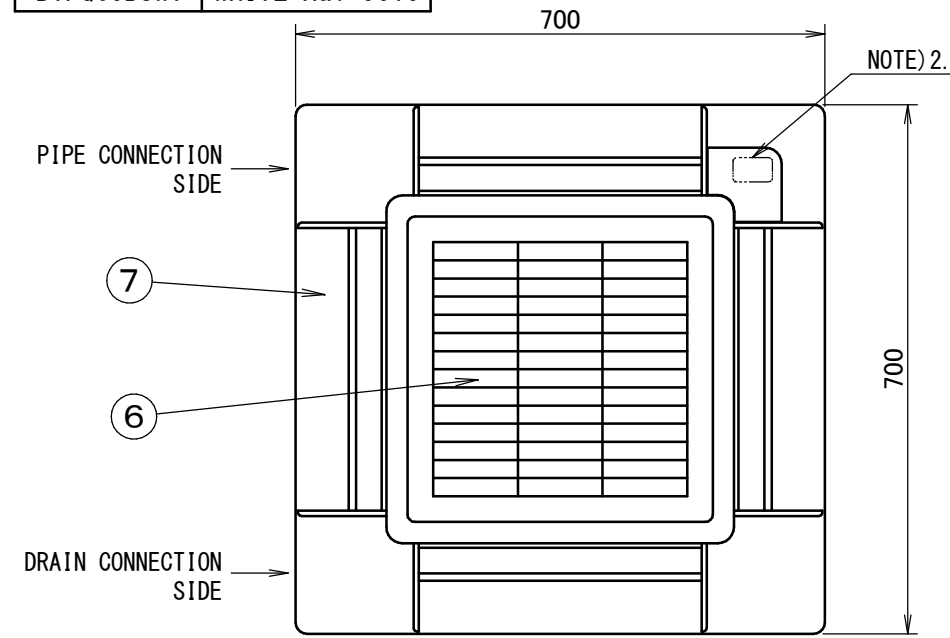


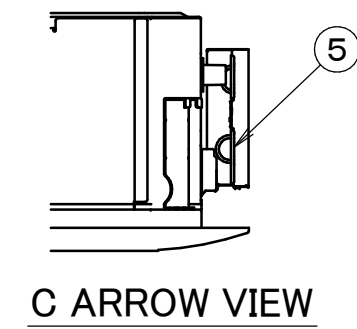
# FFQ50-60C

## • DECORATION PANEL

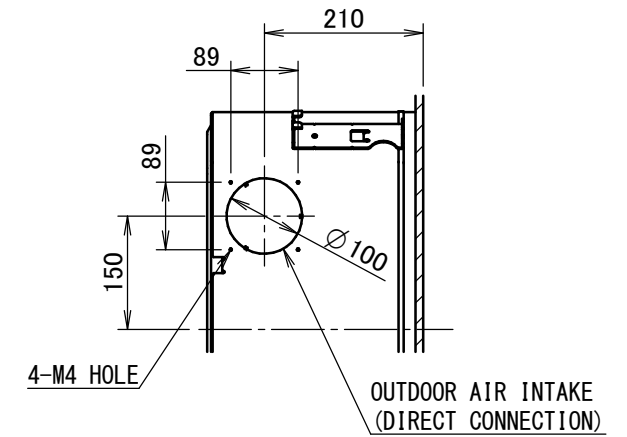
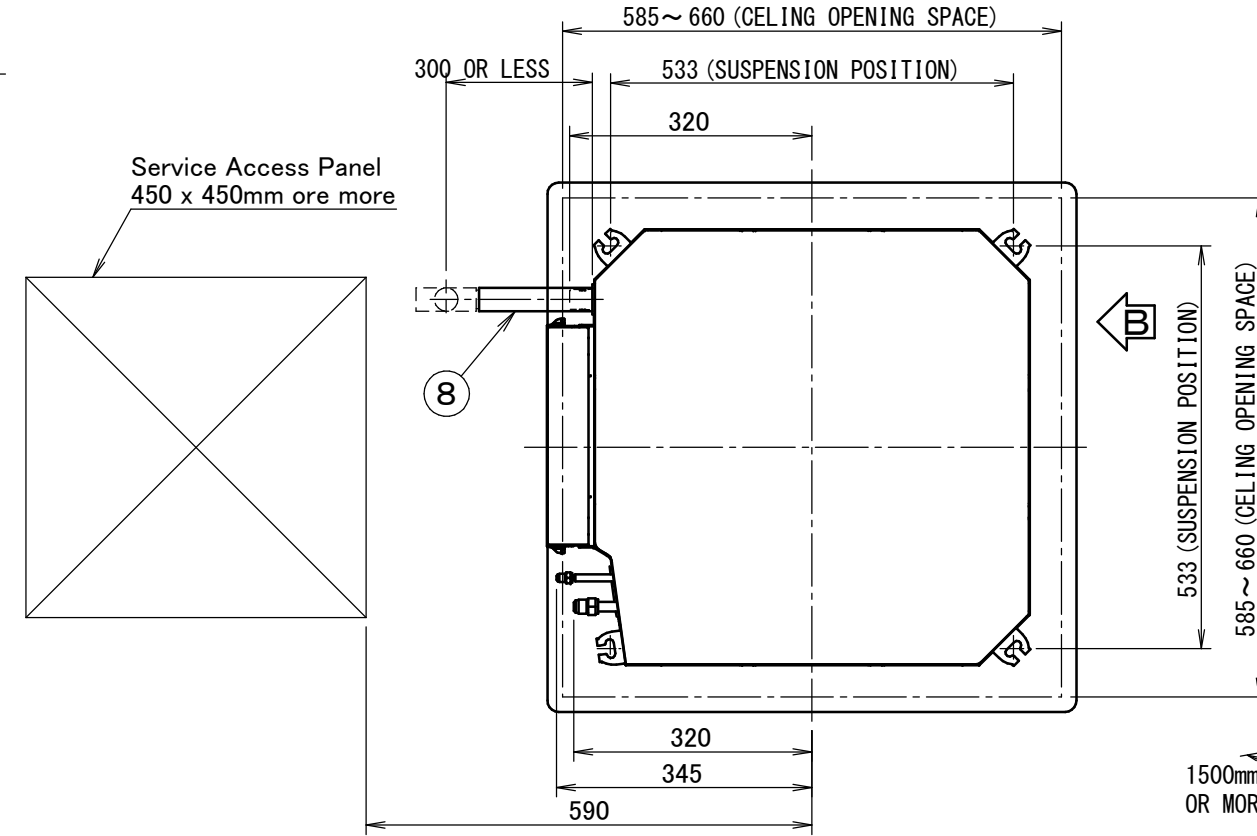
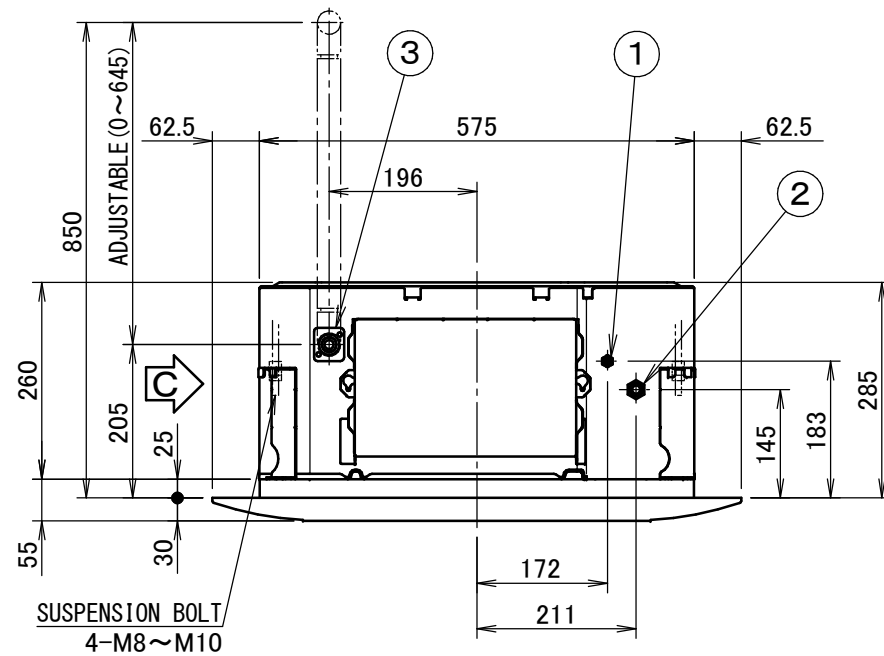
BYFQ60B2W1	WHITE Ra1 9010
BYFQ60B3W1	WHITE Ra1 9010



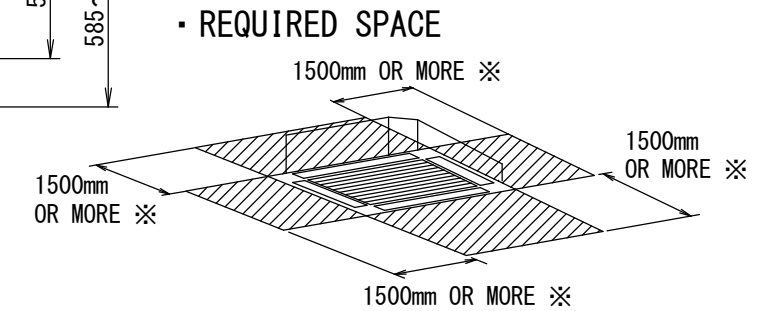
**A ARROW VIEW**



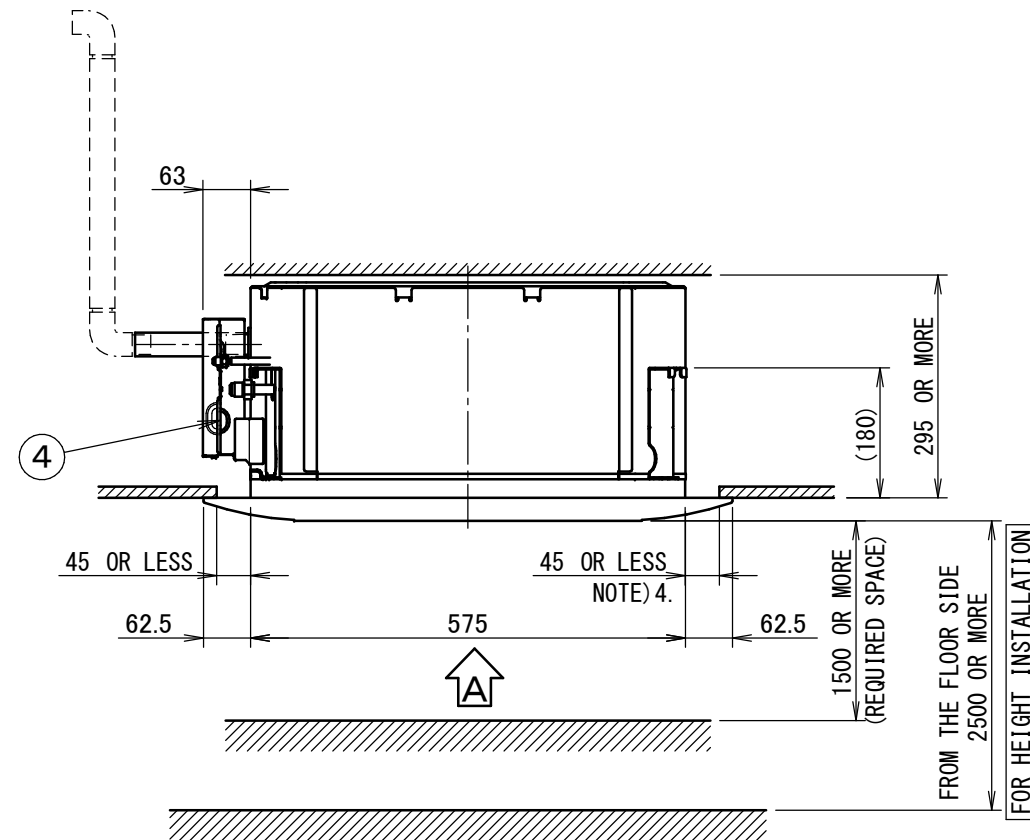
**C ARROW VIEW**



**B ARROW VIEW**



※ WHEN THE DISCHARGE GRILL IS CLOSEOUT, THE REQUIRED SPACE IS 200mm OR MORE.



- NOTE) 1. STICKING LOCATION FOR MANUFACTURE'S LABEL  
 MANUFACTURE'S LABEL FOR INDOOR UNIT: ON THE BELL MOUTH INSIDE SUCTION GRILLE  
 MANUFACTURE'S LABEL FOR DECORATION PANEL : ON THE INNER FRAME INSIDE SUCTION GRILLE  
 2. IN CASE OF USING WIRELESS REMOTE CONTROLLER, THIS POSITION WILL BE A SIGNAL RECEIVER.  
 REFER TO THE DRAWING OF WIRELESS REMOTE CONTROLLER IN DETAIL.  
 3. WHEN THE TEMPERATURE AND HUMIDITY IN THE CEILING EXCEED 30°C AND RH 80% OR THE FRESH AIR IS INDUCTED INTO THE CEILING OR THE UNIT CONTINUES 24 HOUR OPERATION, AN ADDITIONAL INSULATION (THICKNESS 10mm OR MORE OF GLASSWOOL OR POLYETHYLENE FORM) IS REQUIRED.  
 4. THOUGH THE INSTALLATION IS ACCEPTABLE UP TO MAXIMUM OF 660mm SQUARE CEILING OPENING, KEEP THE CLEARANCE OF 45mm OR LESS BETWEEN THE MAIN UNIT AND THE CEILING OPENING SO THAT THE PANEL OVERLAP ALLOWANCE CAN BE ENSURED.

ITEM	PART NAME	REMARK	ITEM	PART NAME	REMARK
1	LIQUID PIPE CONNECTION	φ 6.4 (FRARE CONNECTION)	5	REMOTE CONTROL CODE AND CONTROL WIRING CONNECTION	
2	GAS PIPE CONNECTION	φ 12.7 (FRARE CONNECTION)	6	AIR DISCHARGE GRILL	
3	DRAIN PIPE CONNECTION	VP20 (O. D. φ 26)	7	SUCTION GRILL	
4	POWER SUPPLY CONNECTION		8	DRAIN HOSE (ACCESSORY)	I. D. φ 25 (OUTLET)