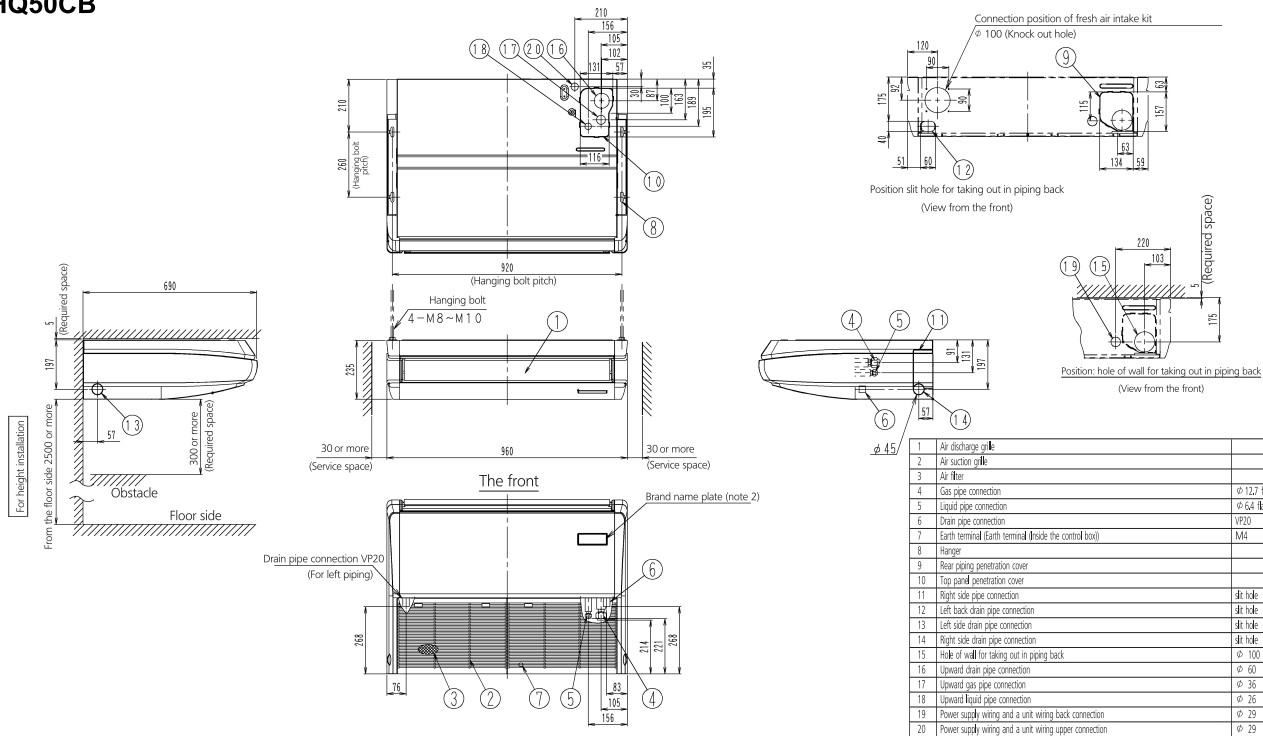


FHQ50CB



1	Air discharge grille	
2	Air suction grille	
3	Air filter	
4	Gas pipe connection	$\phi 12.7$ fibre
5	Liquid pipe connection	$\phi 6.4$ fibre
6	Drain pipe connection	VP20
7	Earth terminal (Earth terminal inside the control box)	M4
8	Hanger	
9	Rear piping penetration cover	
10	Top panel penetration cover	
11	Right side pipe connection	slit hole
12	Left back drain pipe connection	slit hole
13	Left side drain pipe connection	slit hole
14	Right side drain pipe connection	slit hole
15	Hole of wall for taking out in piping back	$\phi 100$
16	Upward drain pipe connection	$\phi 60$
17	Upward gas pipe connection	$\phi 36$
18	Upward liquid pipe connection	$\phi 26$
19	Power supply wiring and a unit wiring back connection	$\phi 29$
20	Power supply wiring and a unit wiring upper connection	$\phi 29$

Note:

1. Location of unit's name plate: bottom of fan housing inside the suction grille.
2. In case of using infrared remote controller, this position will be a signal receiver. Refer to the drawing of infrared remote controller in detail.
3. Please do not place the thing been damp and troubled under an indoor unit. When the case where humidity is 80% or more, and the drain outlet are choked up and the air filter are dirty, dew may fall