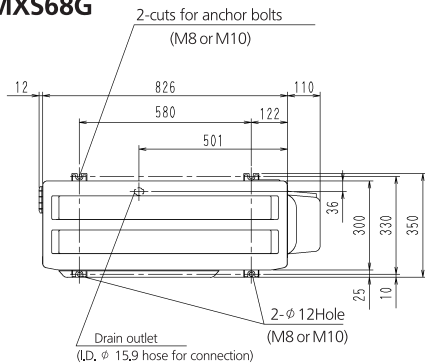
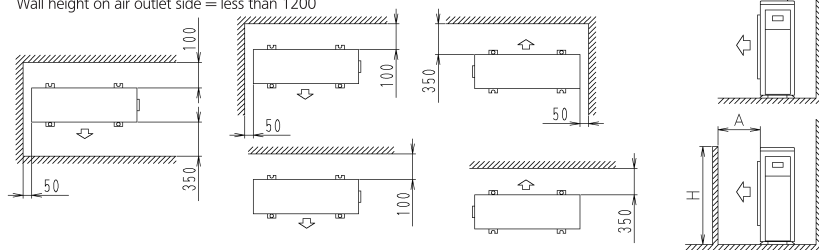


3MXS68G



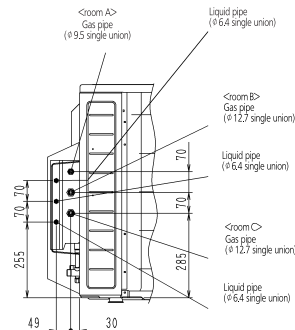
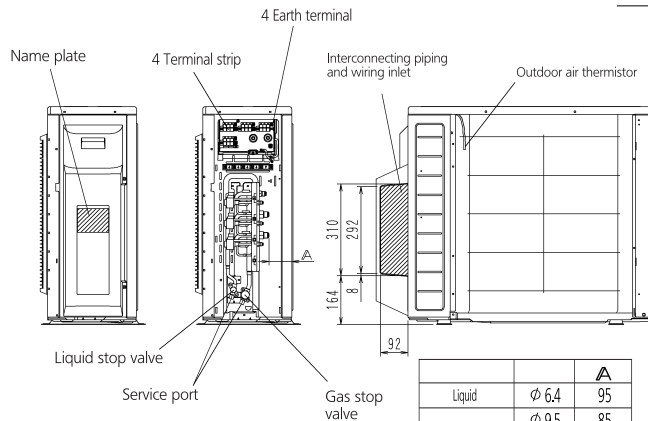
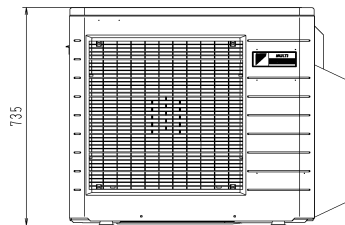
Minimum space for air passage

Wall height on air outlet side = less than 1200



	Dimension A
H \leq 1200	350
H > 1200	600

Installation space for discharge side (mm)



		A
Liquid	ϕ 6.4	95
	ϕ 9.5	85
Gas	ϕ 12.7	76