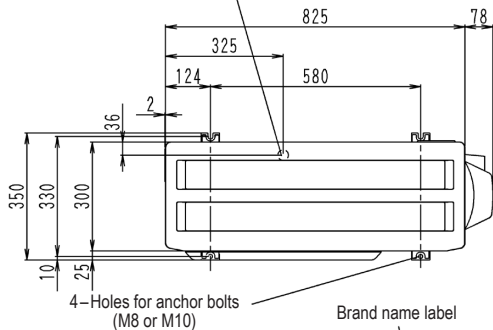


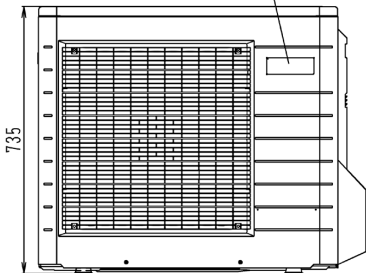
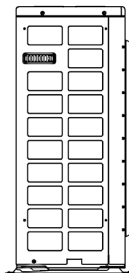
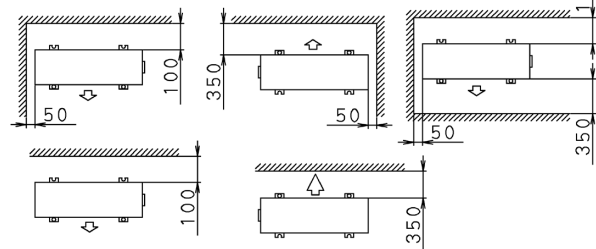
RX50-60GV

Drain outlet
(I.D. $\phi 15.9$ hose for connection)



Minimum space for air passage

Wall height on air outlet side = less than 1200



Name plate

Wiring inlet

In case of removing stop valve cover
Terminal strip with earth terminal

Outdoor air temperature thermistor

