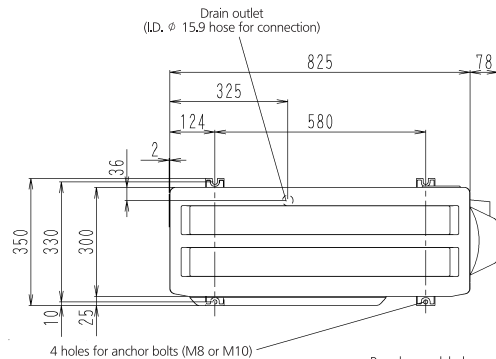


RX50-60GV(B)



Minimum space for air passage

