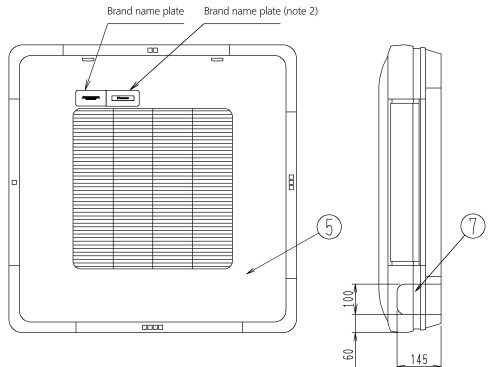


FXUQ-A

Note:

1. Location for manufacture's label: On the control box lid inside suction grille.
2. This is where the signal of infrared remote controller is received, Refer to the outside drawing of infrared remote controller in detail.
3. When dosing the discharge grille (2 or 3 way discharge), direction of pipe connection will be limited, please refer to installation manual.
4. Please do not place the thing been damp and troubled under an indoor unit. When the case where humidity is 80% or more, and the drain outlet are choked up and the air filter are dirty, dew may fall.

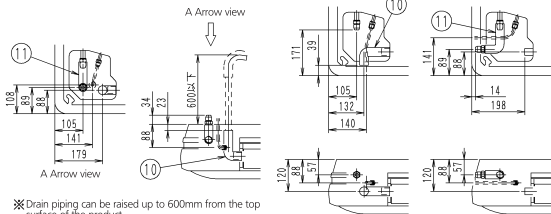
(Unit: mm)



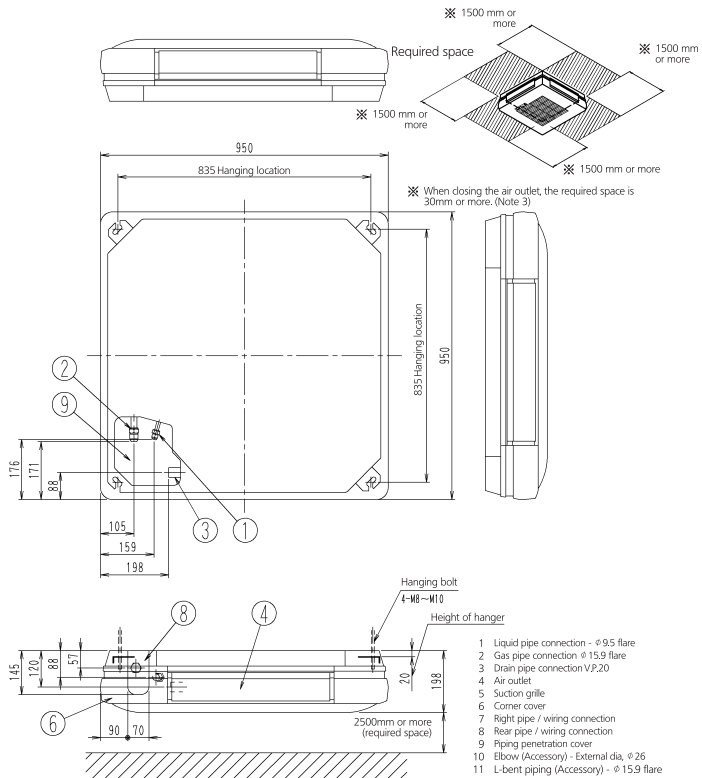
Gas piping and drain connection location for upper piping

Gas piping and drain connection location for rear piping

Gas piping and drain connection location for right piping



※ Drain piping can be raised up to 600mm from the top surface of the product



- 1 Liquid pipe connection - $\phi 9.5$ flare
- 2 Gas pipe connection $\phi 15.9$ flare
- 3 Drain pipe connection VP.20
- 4 Air outlet
- 5 Suction grille
- 6 Corner cover
- 7 Right pipe / wiring connection
- 8 Rear pipe / wiring connection
- 9 Piping penetration cover
- 10 Elbow (Accessory) - External dia. $\phi 26$
- 11 L-bent piping (Accessory) - $\phi 15.9$ flare