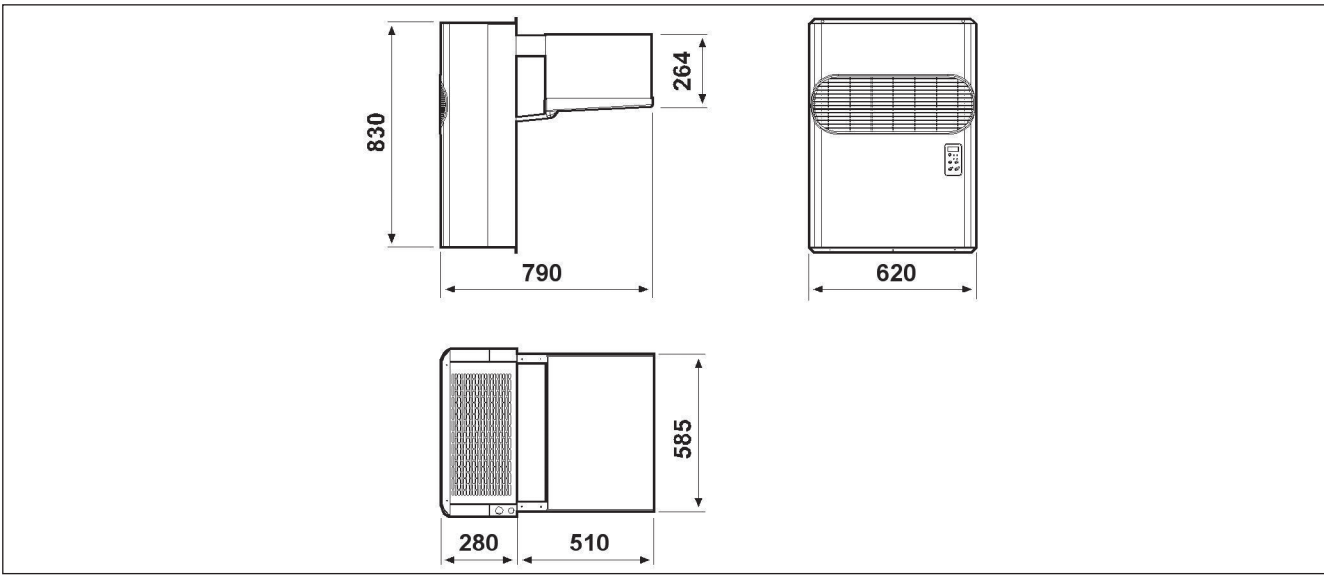
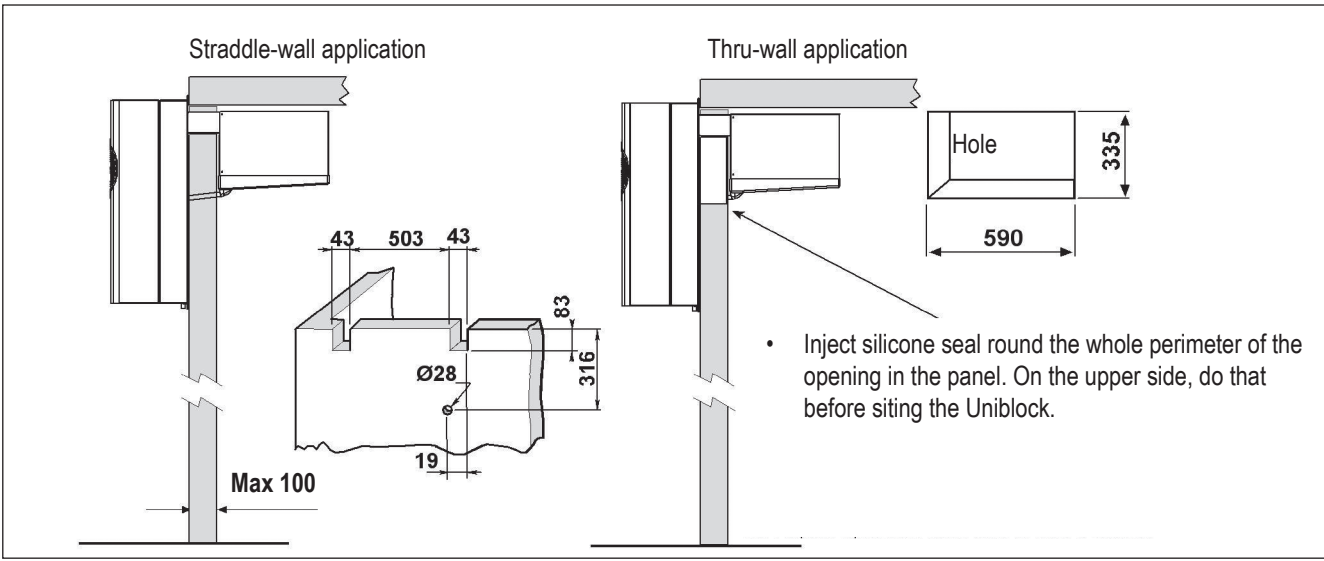


MSB2180

Dimensions



Mounting scheme



* To be advised at time of order for factory installation and operating instructions

Packing mass and dimensions

